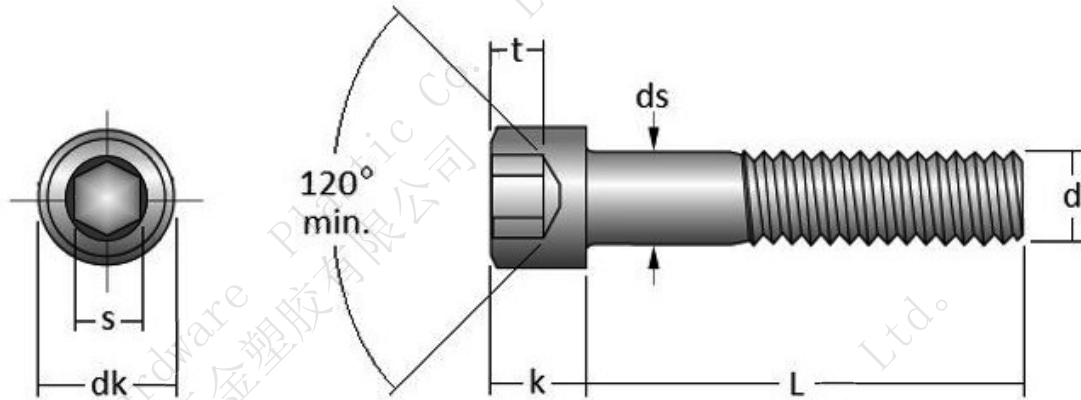


Page 1 of 1	Product Standard	DIN912 / ISO 4762
Date: 2020/06/03	 安固五金 ANGU HARDWARE	A2-70

Metric, Socket Head Cap Screw, ISO 4762/DIN912, A2-70 Stainless Steel



Nominal Size (d)	ds		dk		k		s		t
	Body Diameter		Head Diameter		Head Height		Socket Size		Key Engagement
	Max.	Min.	Max.	Min.	Max.	Min.	Max.	Min.	Min.
M1.6	1.60	1.46	3.14	2.86	1.60	1.46	1.58	1.52	0.7
M2	2.00	1.86	3.98	3.62	2.00	1.86	1.58	1.52	1
M2.5	2.50	2.36	4.68	4.32	2.50	2.36	2.08	2.02	1.1
M3	3.00	2.86	5.68	5.32	3.00	2.86	2.58	2.52	1.3
M4	4.00	3.82	7.22	6.78	4.00	3.82	3.08	3.02	2
M5	5.00	4.82	8.72	8.28	5.00	4.82	4.095	4.02	2.5
M6	6.00	5.82	10.22	9.78	6.00	5.70	5.14	5.02	3
M8	8.00	7.78	13.27	12.73	8.00	7.64	6.14	6.02	4
M10	10.00	9.78	16.27	15.73	10.00	9.64	8.175	8.025	5
M12	12.00	11.73	18.27	17.73	12.00	11.57	10.175	10.025	6
M14	14.00	13.73	21.33	20.67	14.00	13.57	12.212	12.032	7
M16	16.00	15.73	24.33	23.67	16.00	15.57	14.212	14.032	8
M20	20.00	19.67	30.33	29.67	20.00	19.48	17.23	17.05	10
M24	24.00	23.67	36.39	35.61	24.00	23.48	19.275	19.065	12
M30	30.00	29.67	45.39	44.61	30.00	29.48	22.275	22.065	15.5
M36	36.00	35.61	54.46	53.54	36.00	35.38	27.275	27.065	19
M42	42.00	41.61	63.46	62.54	42.00	41.38	32.33	32.08	24

- **Dimensions:** ISO 4762 / DIN912
- **Threads:** 6g
- **Material & Mechanical Properties:** A2-70 Stainless Steel
- **Head Marking:**
- **Finish:** Passivation